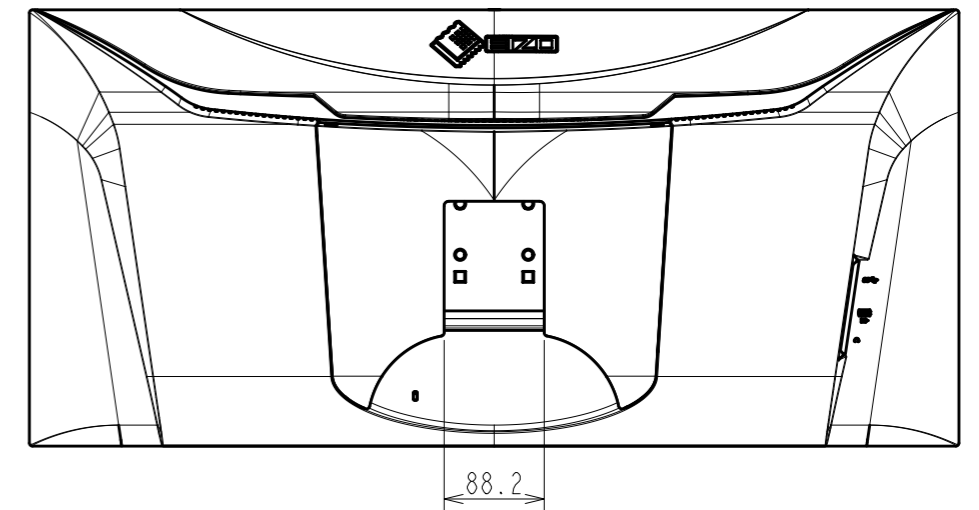
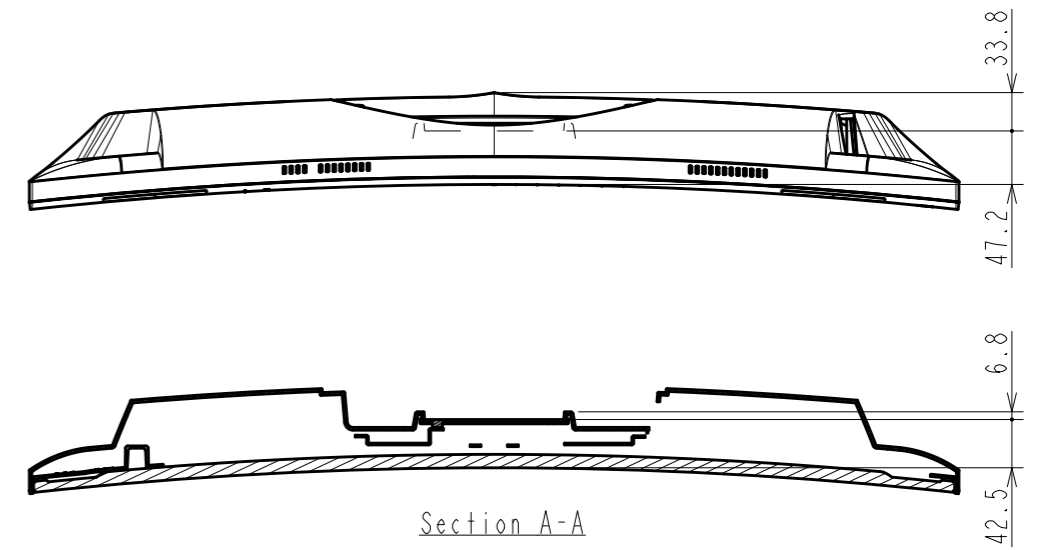
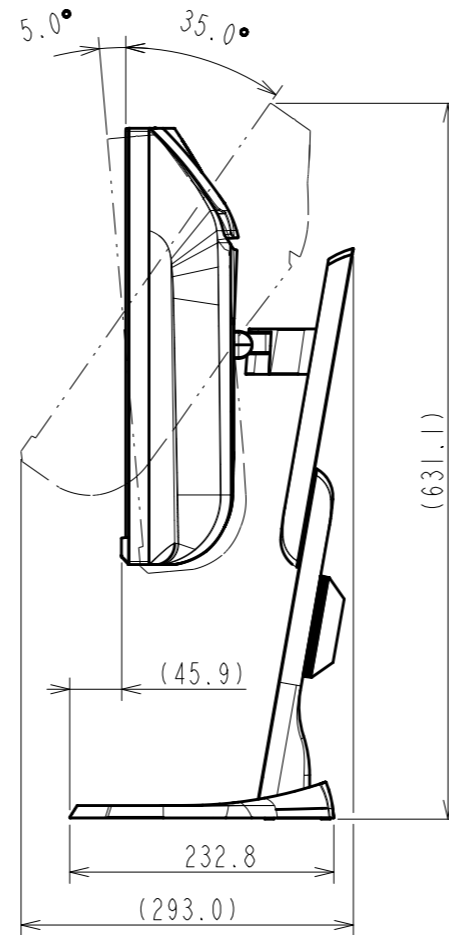
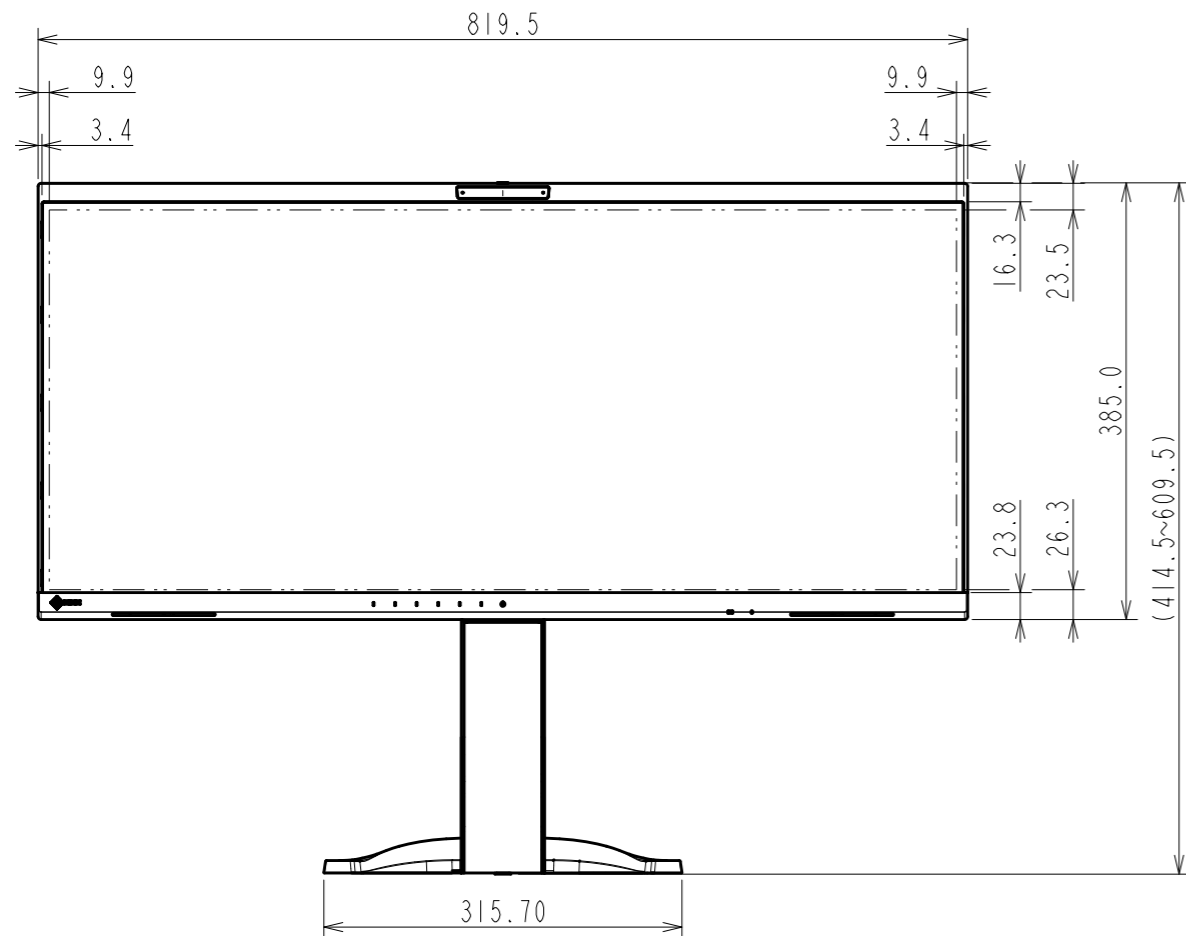
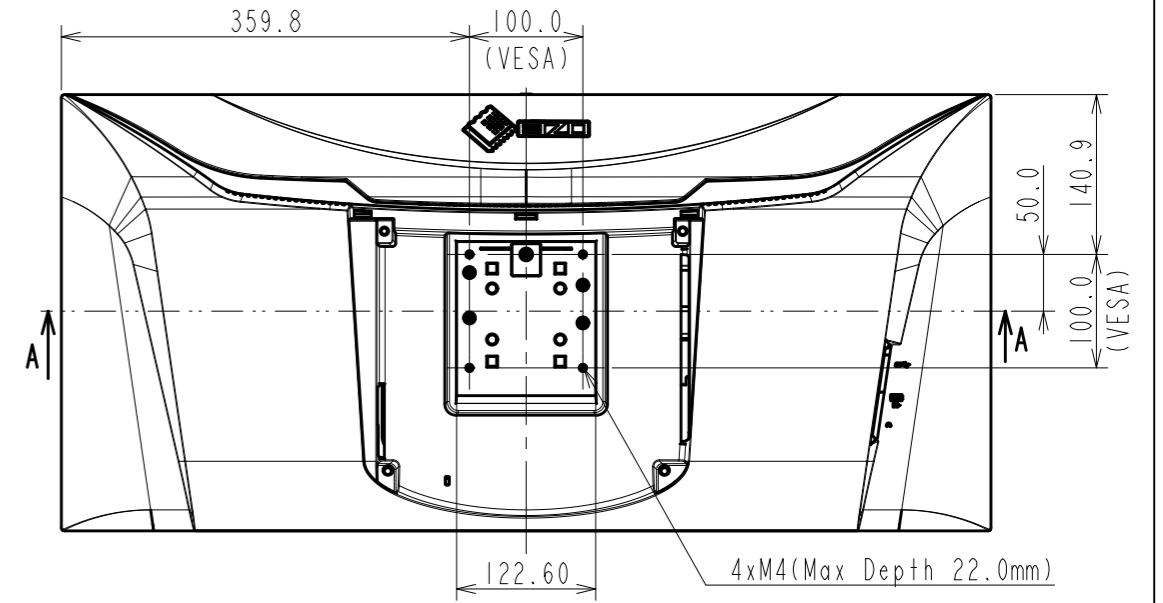
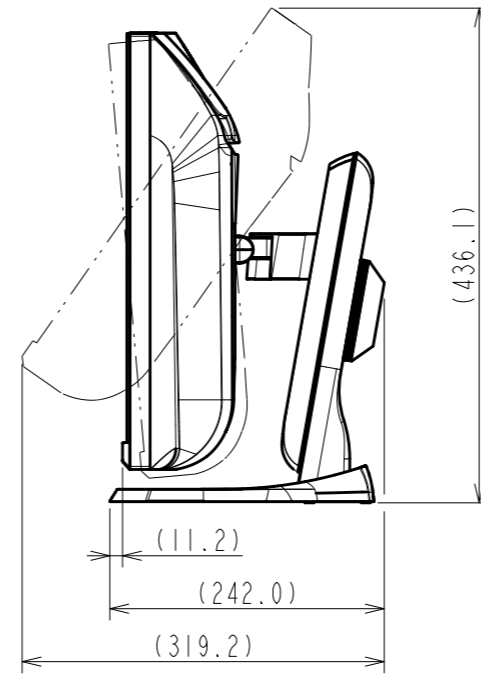
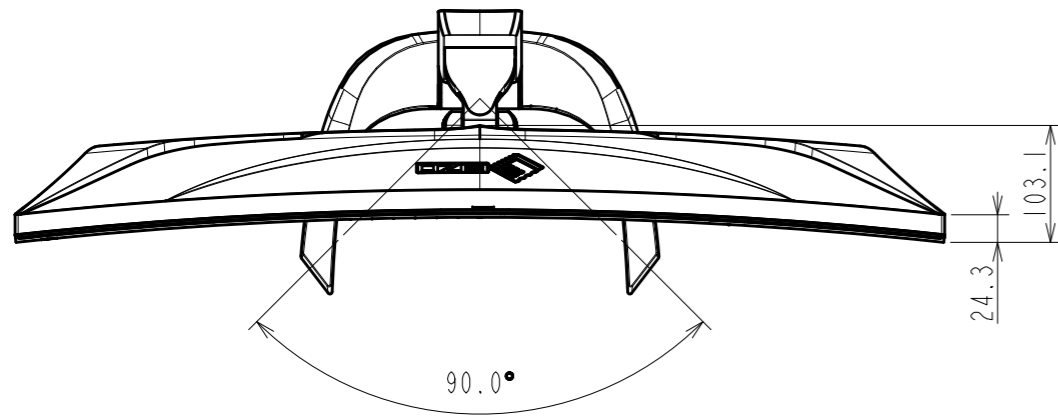


OUTLINE DIMENSIONS

MODEL EV3450XC

UNIT mm

EIZO Corporation



OUTLINE DIMENSIONS

MODEL EV3450XC

UNIT mm

EIZO Corporation

