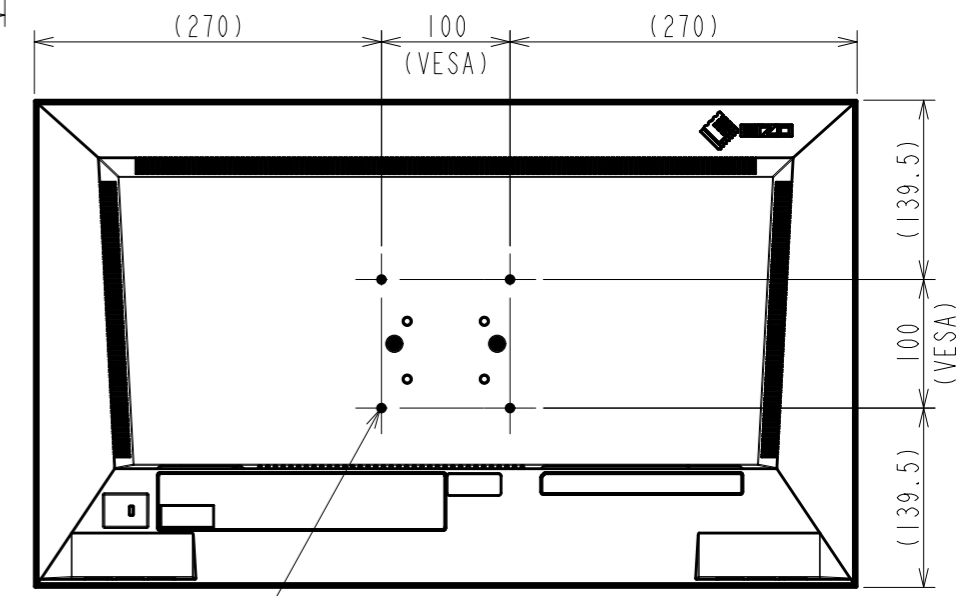
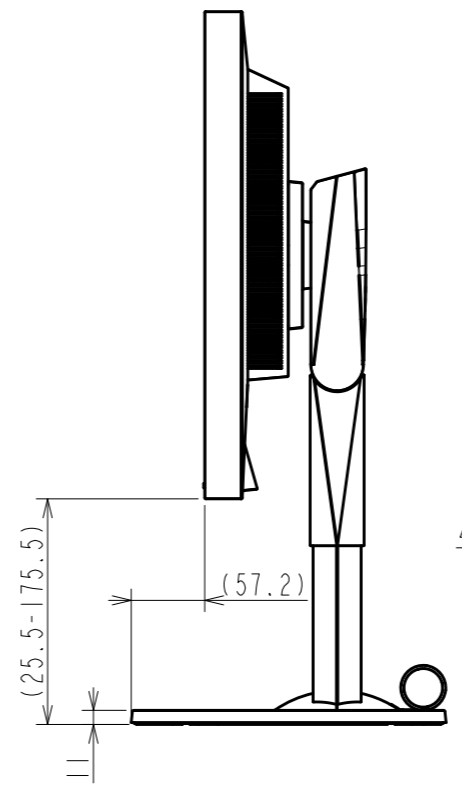
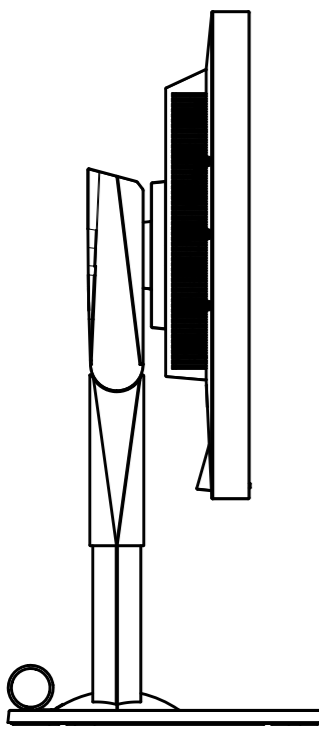
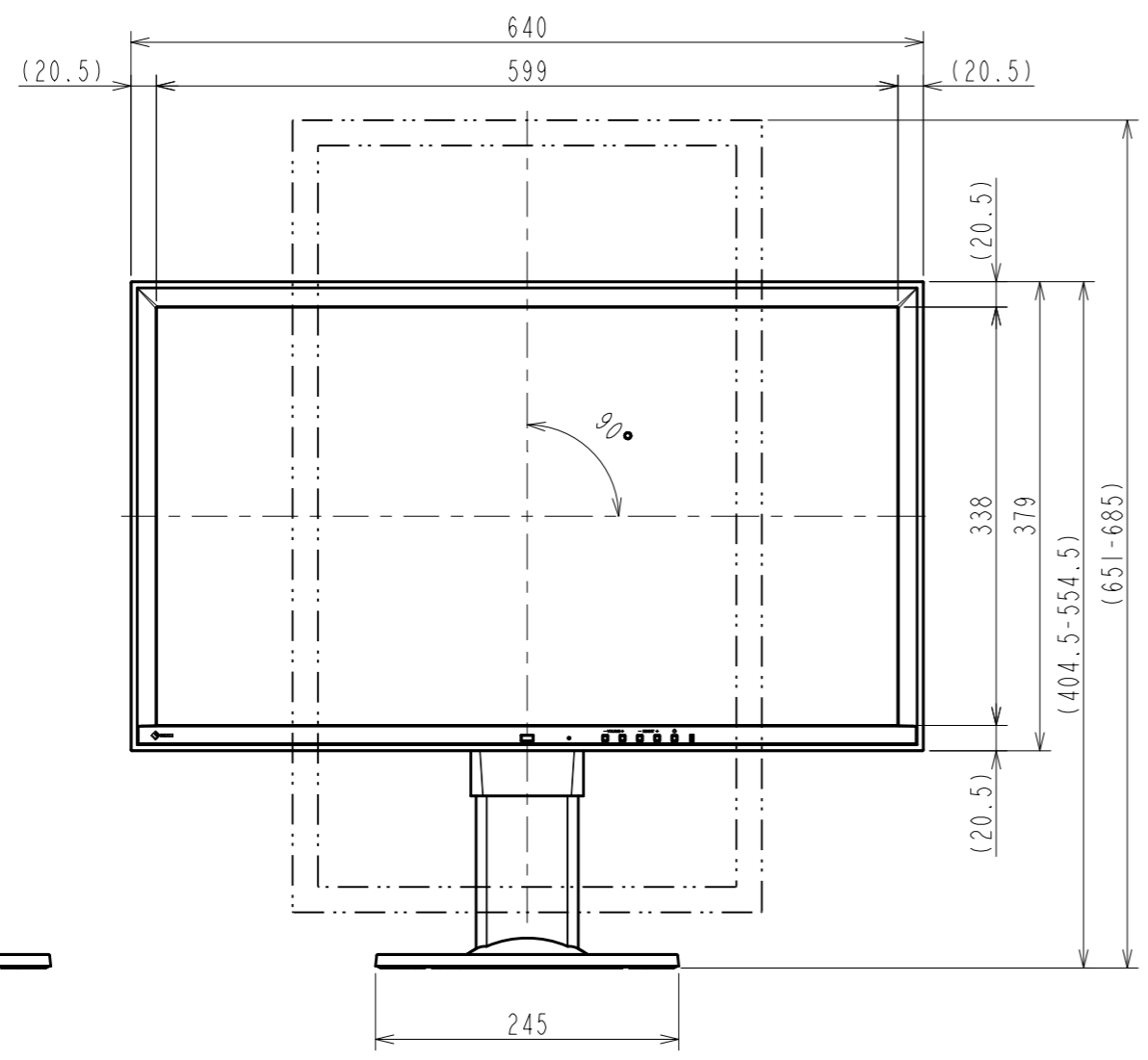
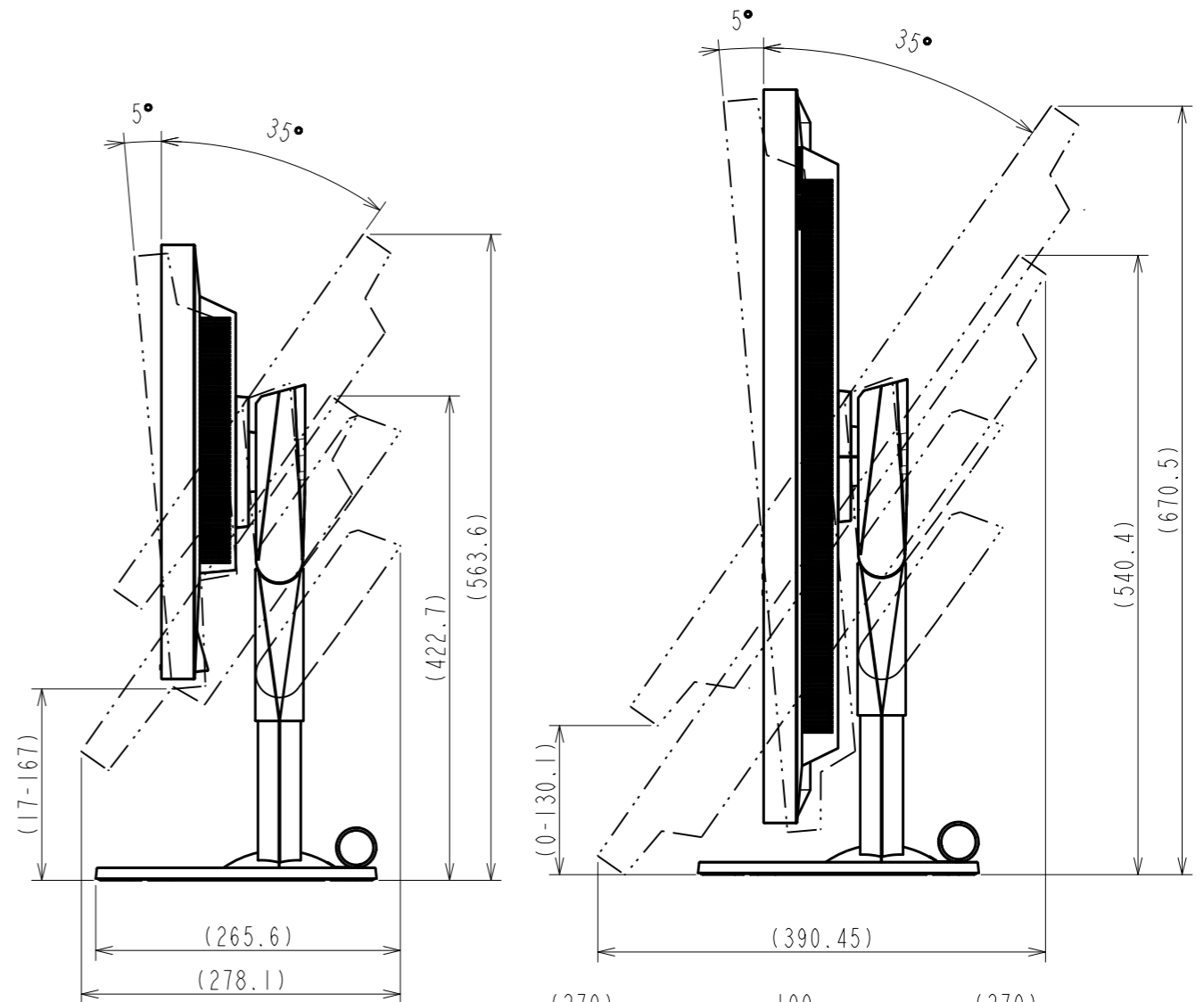
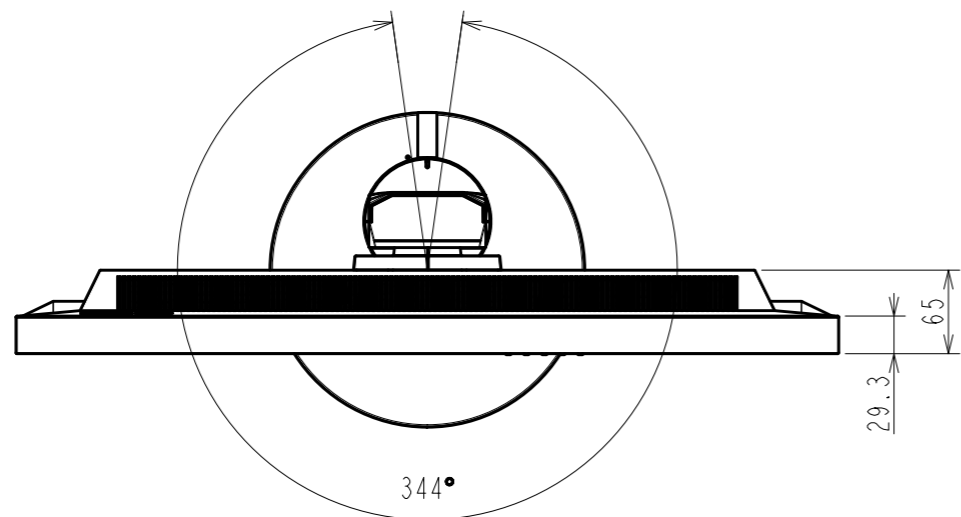


# OUTLINE DIMENSIONS

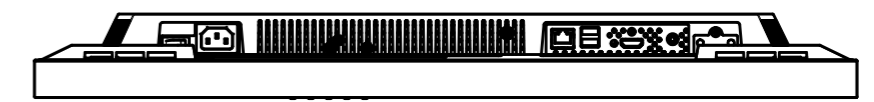
MODEL FDF2712W-1P

UNIT mm

**EIZO Corporation**



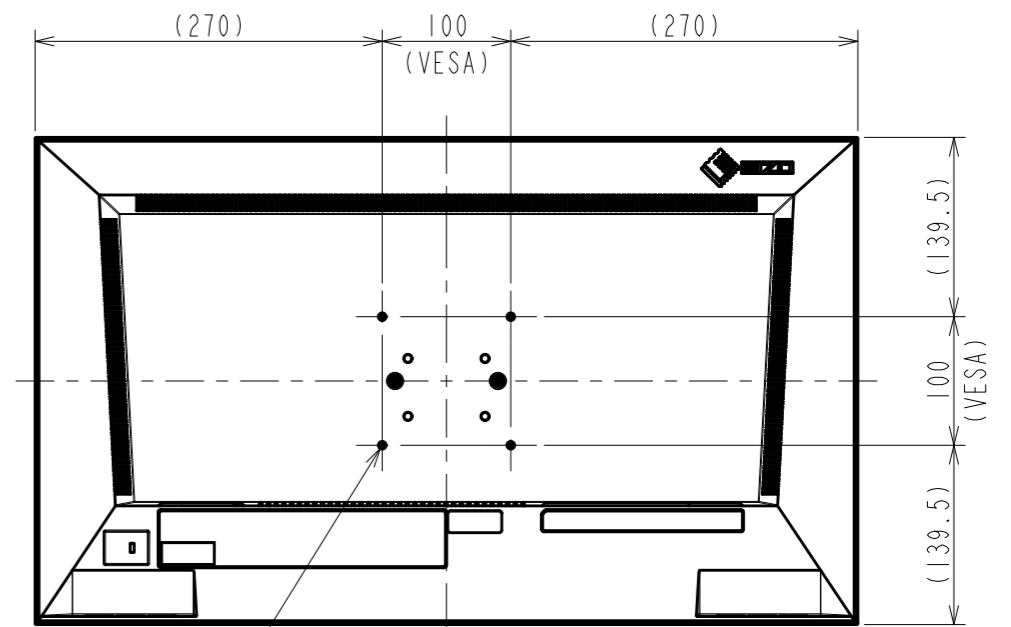
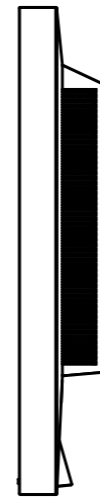
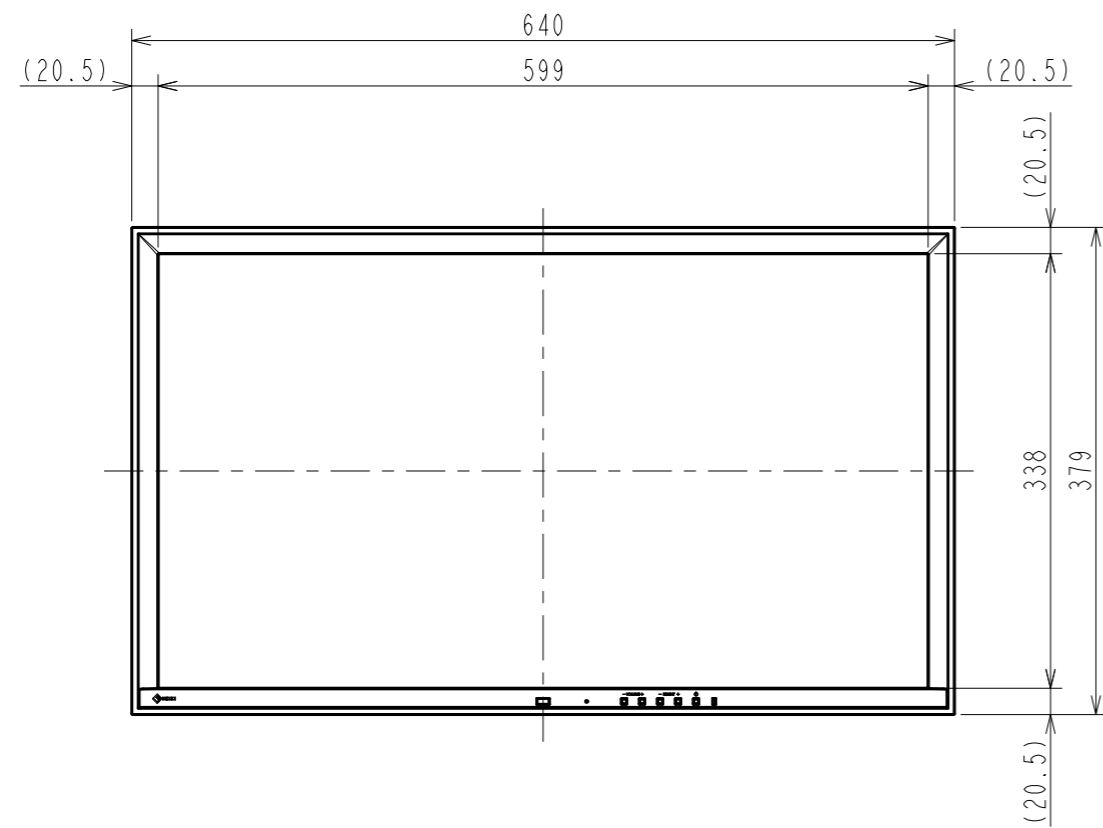
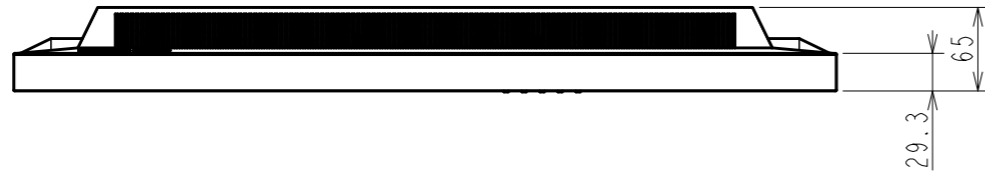
4xM4(MAX Depth 11)



# OUTLINE DIMENSIONS

MODEL	FDF2712W-1P
UNIT	mm

**EIZO Corporation**



4xM4(MAX Depth 11)

