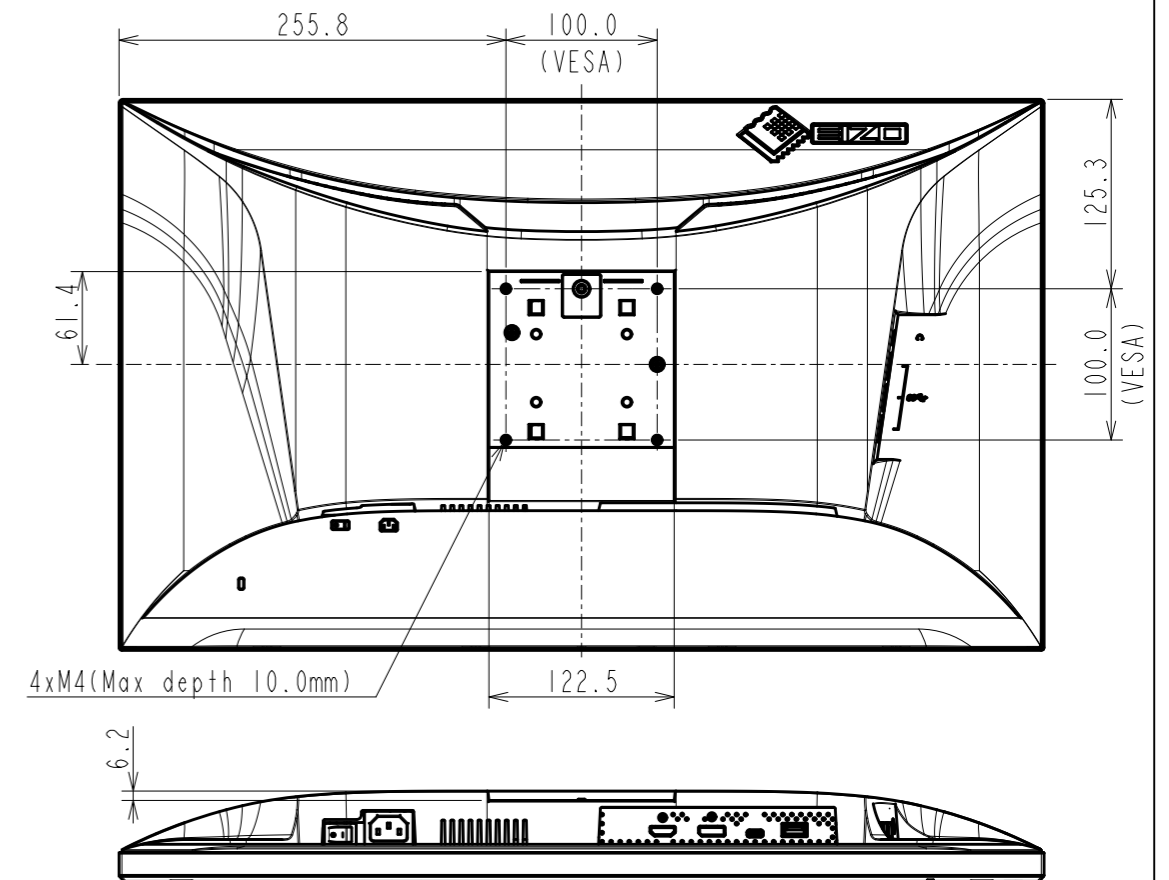
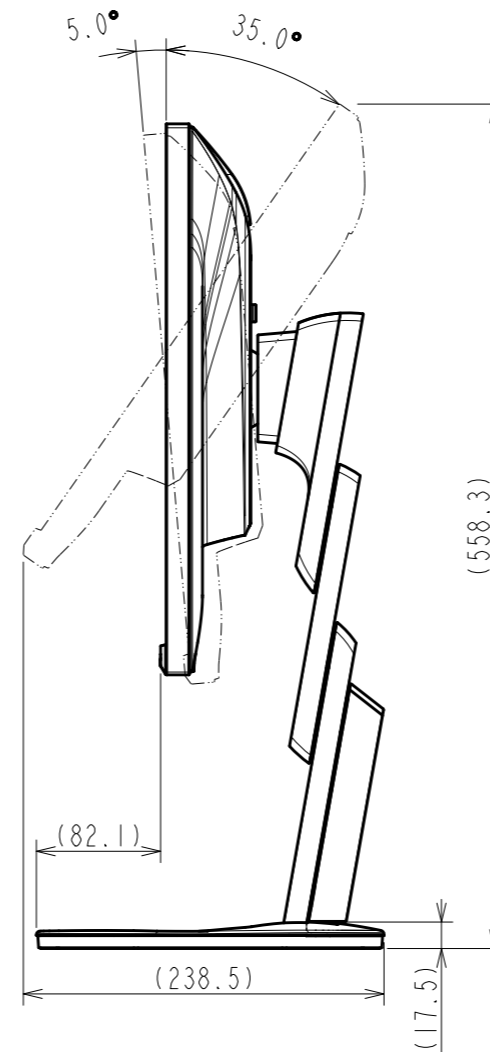
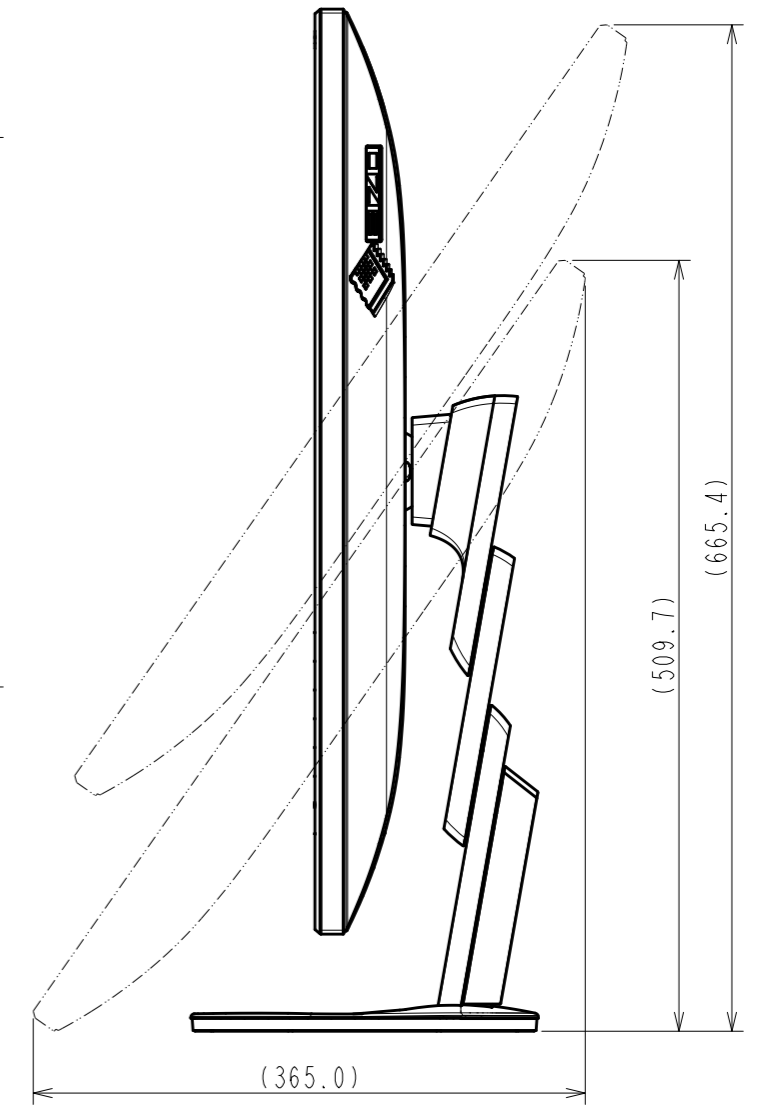
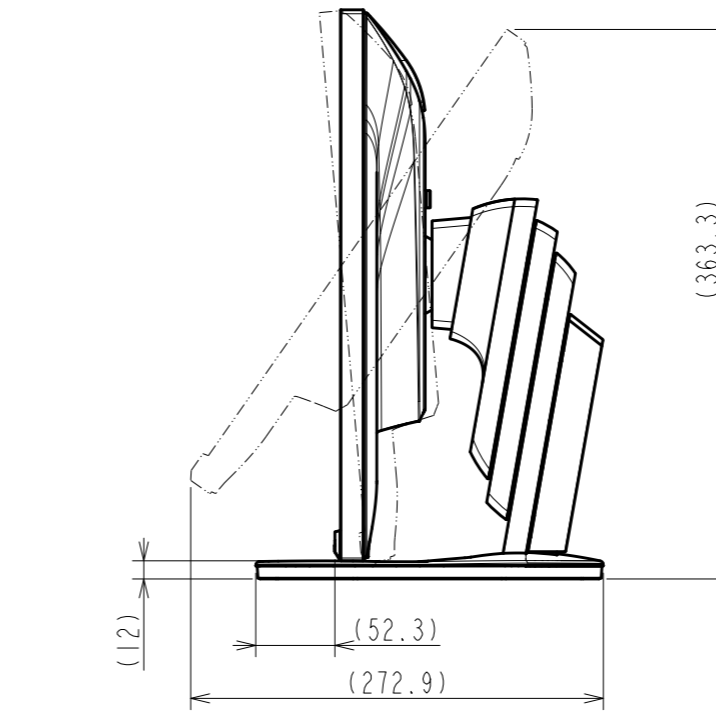
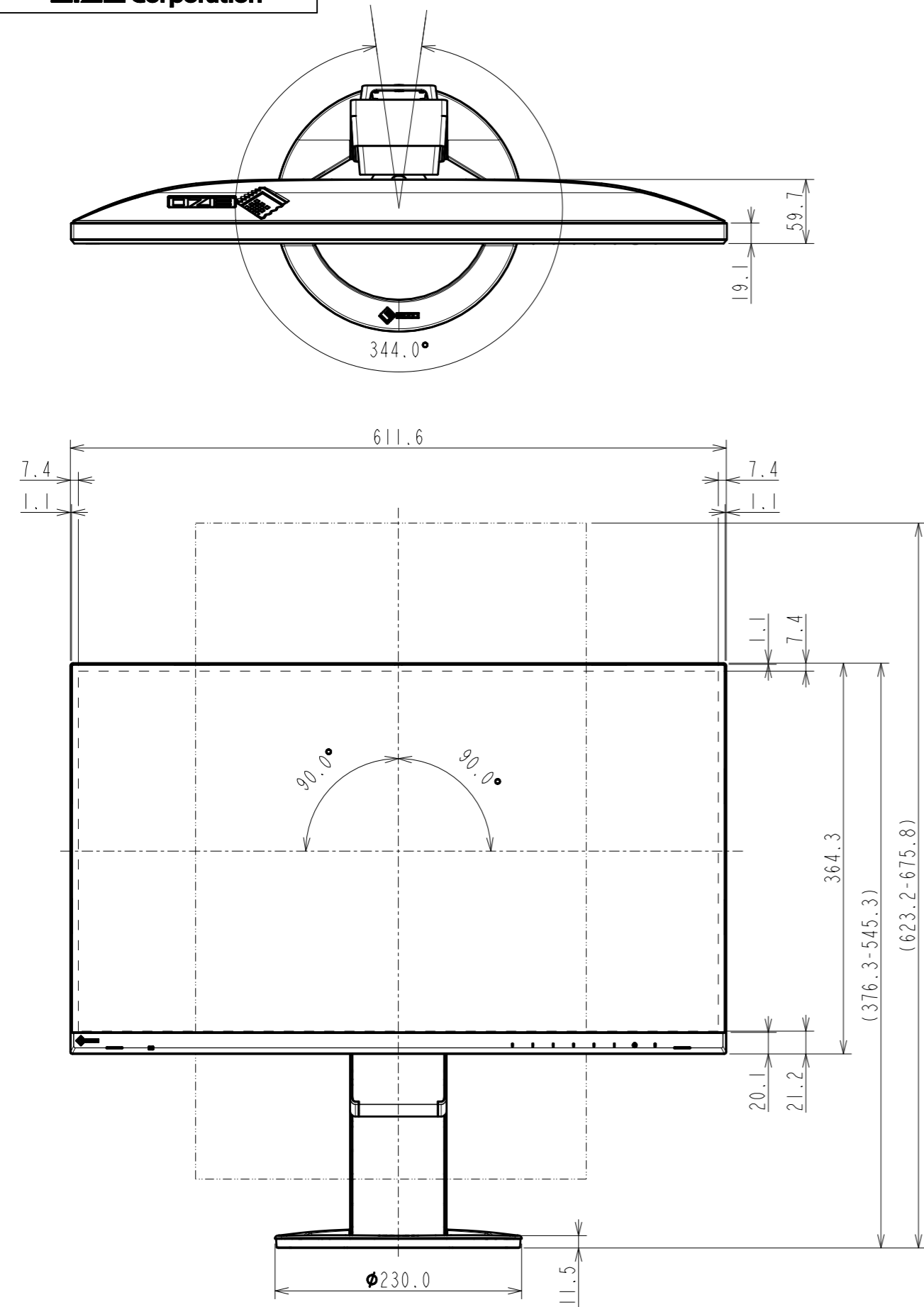


# OUTLINE DIMENSIONS

MODEL EV2720S

UNIT mm

**EIZO Corporation**



# OUTLINE DIMENSIONS

MODEL EV2720S

UNIT mm

**EIZO Corporation**

